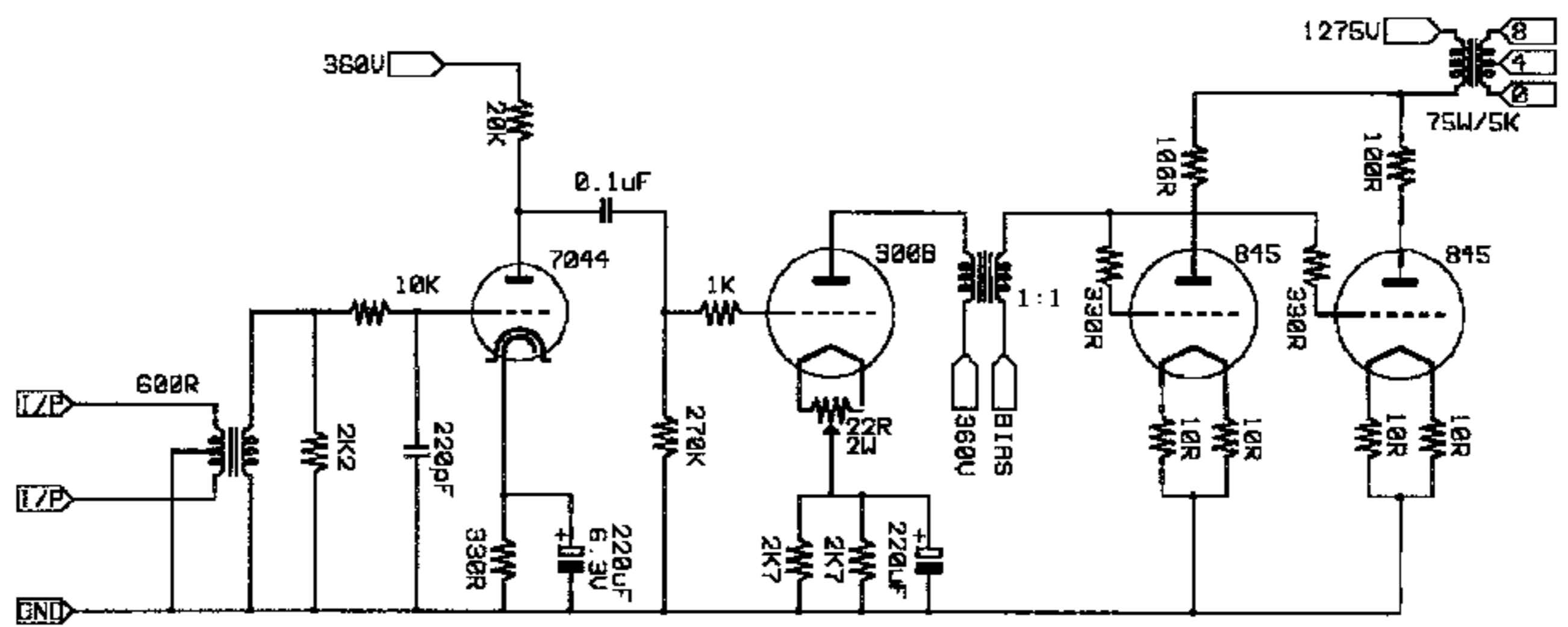
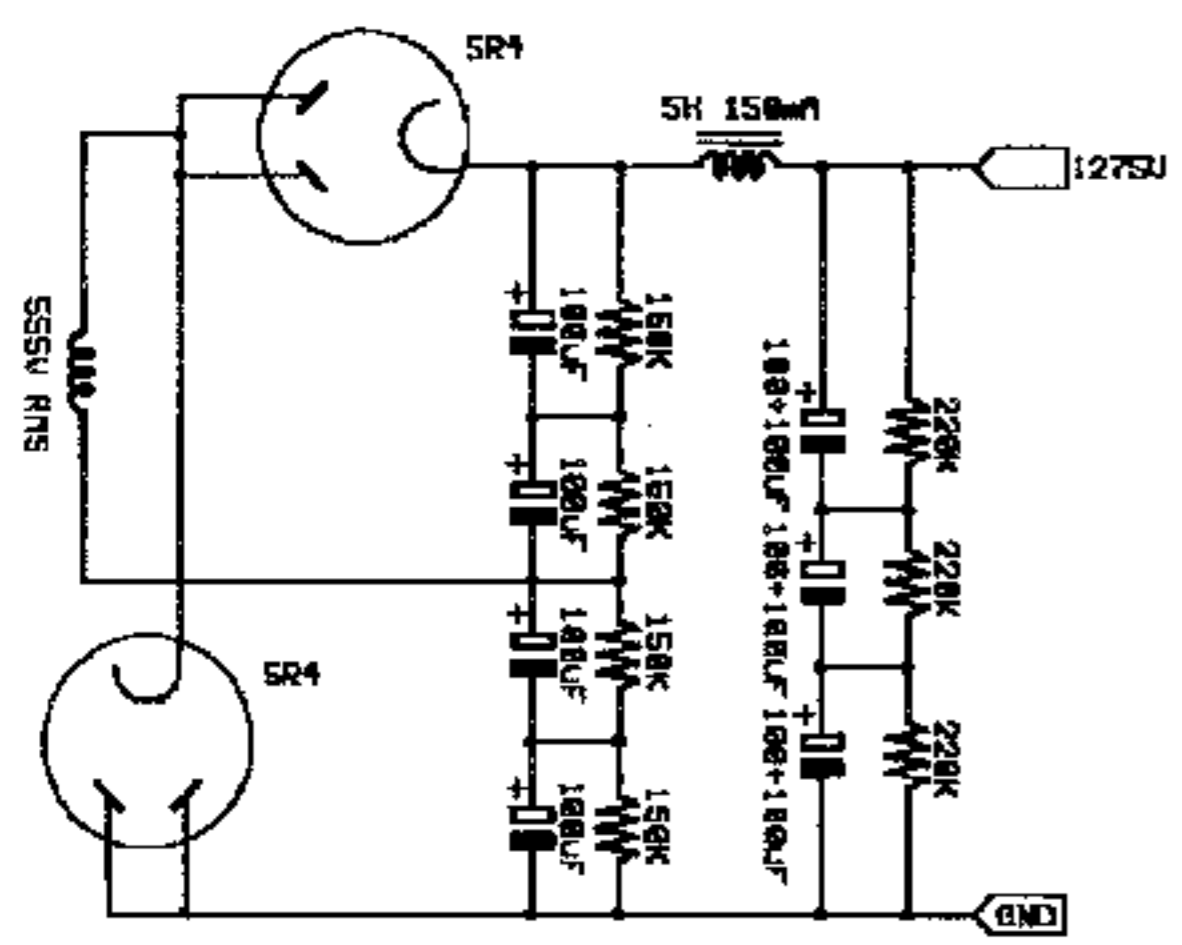


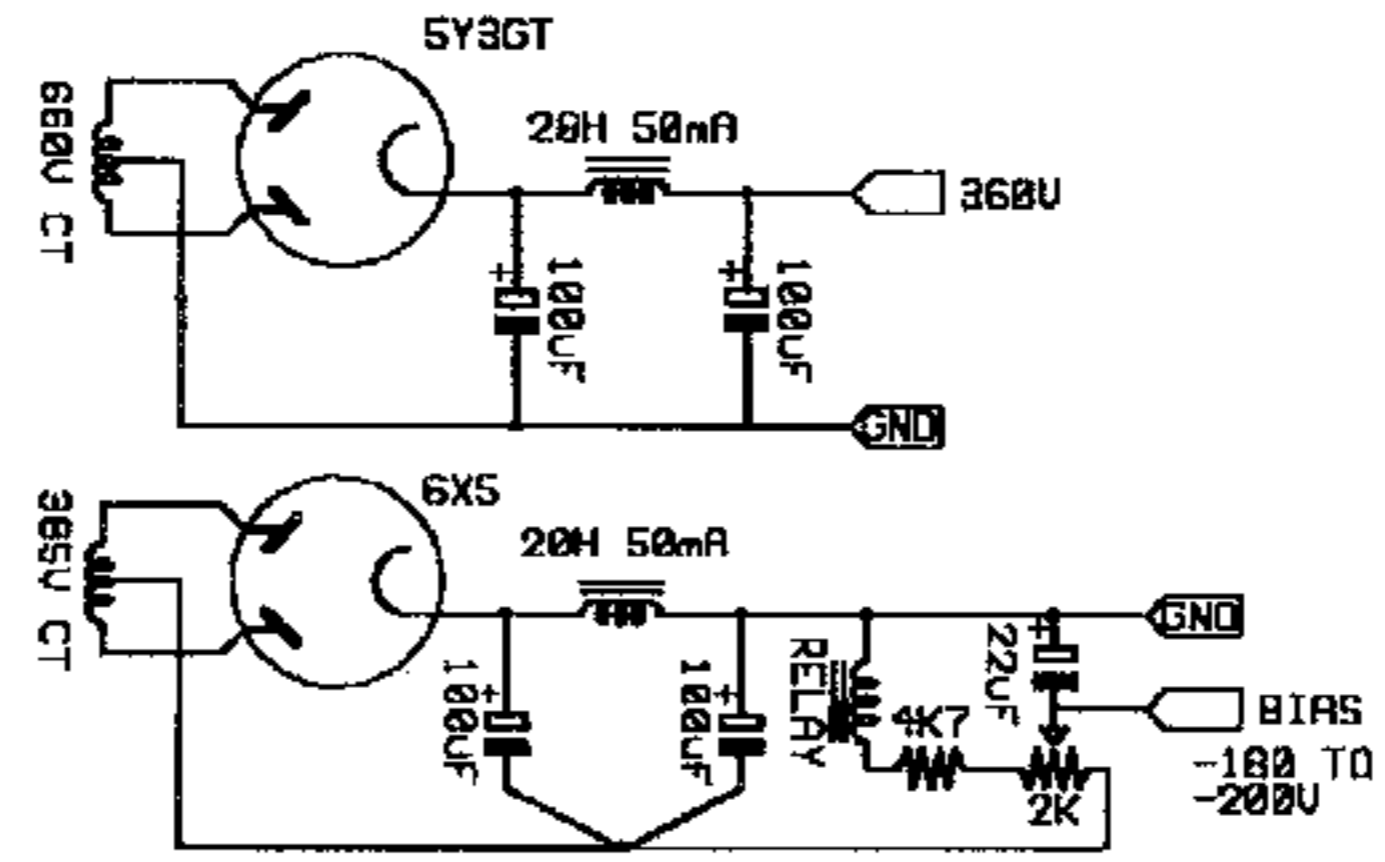
POWER STAGE



845 HT SUPPLY

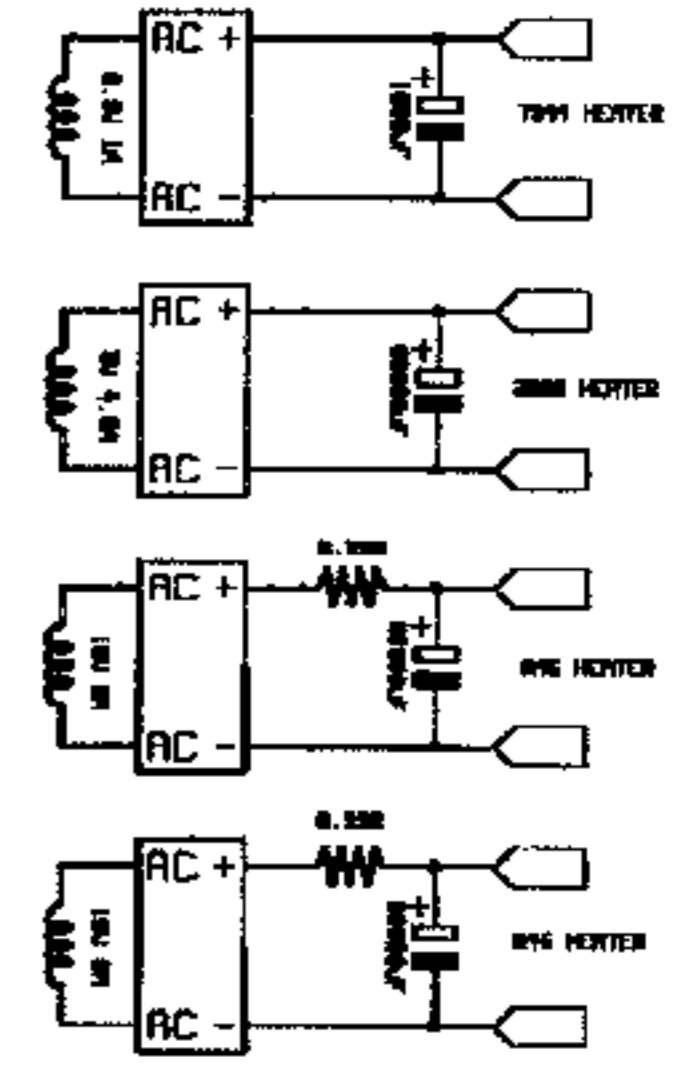


BIAS, 2A3 & 7044 HT SUPPLY



NOTE:- THE RELAY SWITCHES THE MAINS TRANSFORMER FOR THE MAIN HT SUPPLY, THE 845 HEATERS AND THE 5R4 HEATERS

HEATER SUPPLY



TITLE: ANKORU
NO:
ISSUE: 11

DRAWN: J. ARNOTT
DATE: 06.11.96
OK: JA