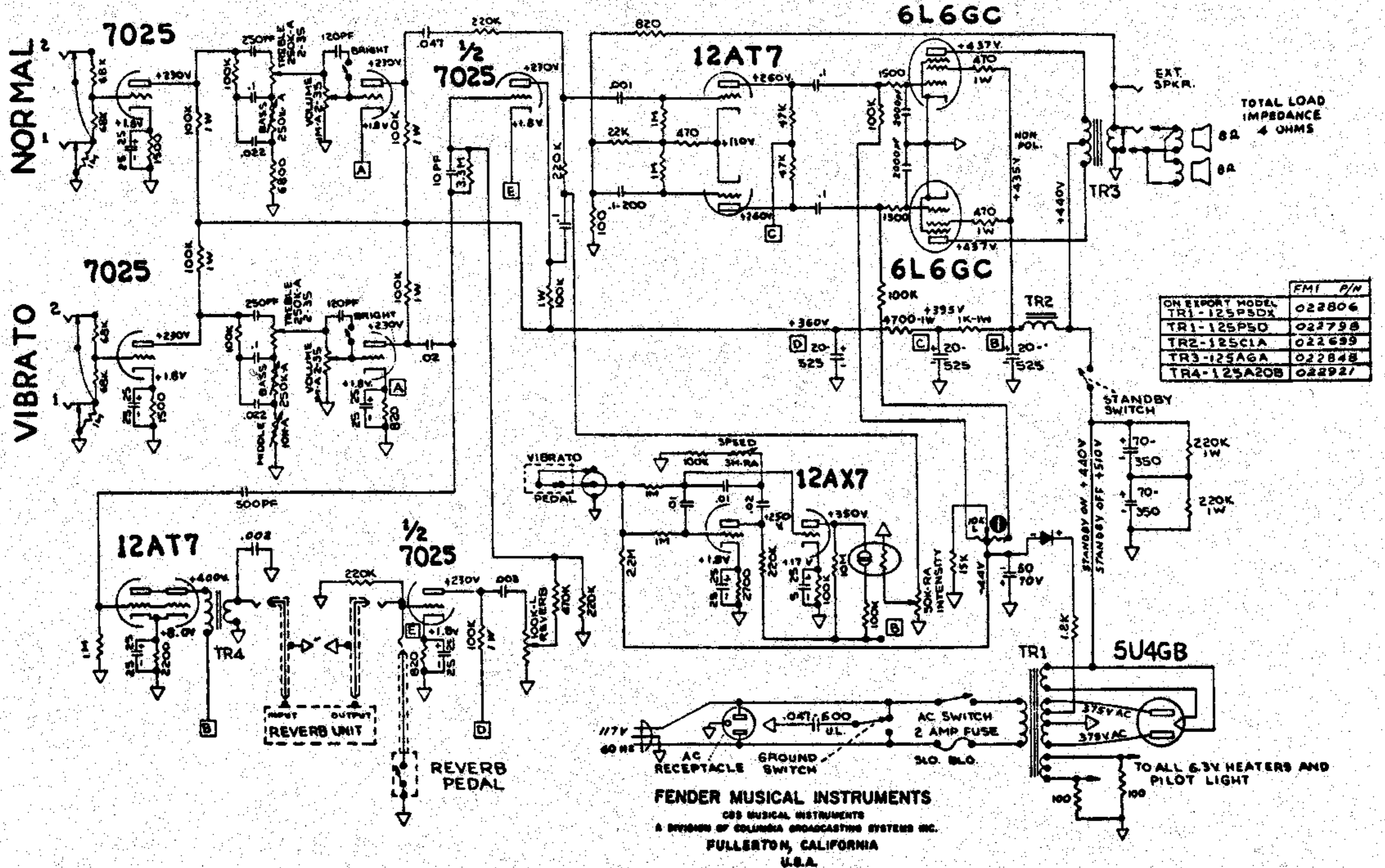


FENDER MODEL BANDMASTER REVERB-AMP AAI069" SCHEMATIC NOTICE

TFL5005D

THIS PRODUCT MANUFACTURED UNDER ONE OR MORE OF THE FOLLOWING US PATENTS: CIRCUIT PATENT #2617708, #2973681; DESIGN PATENT #192859; PATENTS PENDING.

- 1 - VOLTAGES READ TO GROUND WITH ELECTRONIC VOLTMETER.
- 2 - ALL RESISTORS 1/2 WATT 10% TOLERANCE IF NOT SPECIFIED.
- 3 - ALL CAPACITORS AT LEAST 400 VOLT RATING IF NOT SPECIFIED.
- 4 - ALL VOLTAGES READ WITH VIBRATO PEDAL GROUNDING AND NO INPUT SIGNAL.



DRAWN APPROVED	Dwg. No. 109223	REV B
INCORPORATED ECO # 1689 1-25-59	MODEL TYPE TYPE BANDMASTER REVERB-AMP	SHEET 1 OF 2

AMPLIFIER TT